

Cortasoles continuos - FINGERLIP / Aluminio
Brise-Soleil fixe filant - FINGERLIP / Aluminium
Continuous Sun breakers - FINGERLIP / Aluminium

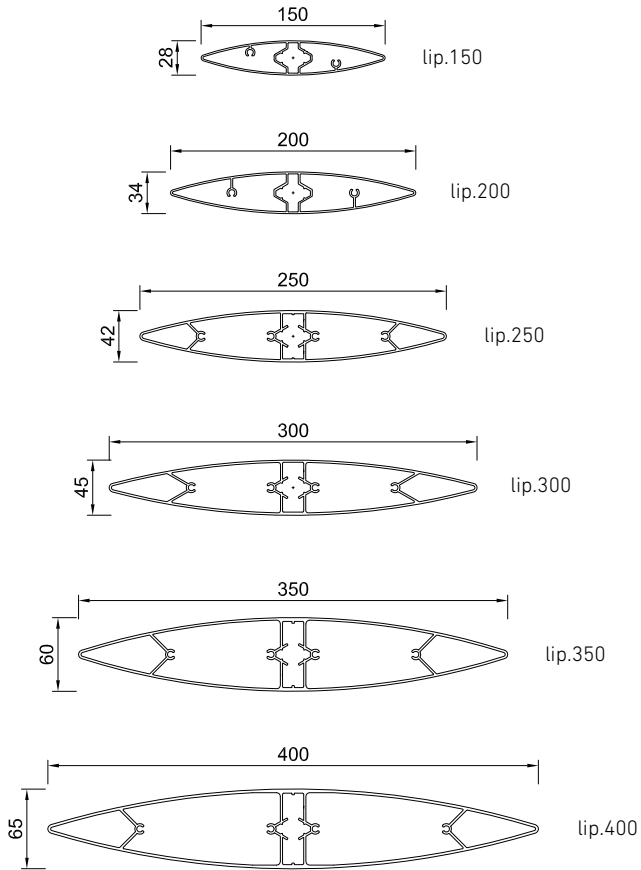
brise soleil

aluminio | *aluminium* | aluminium

lamas de gran formato | *lames grand format* | large format blades

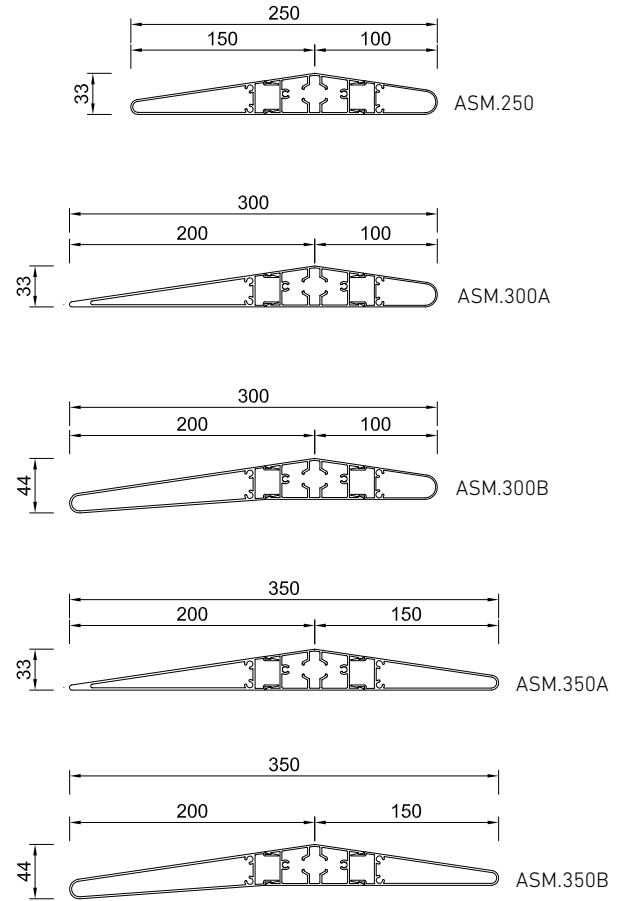
tamilip

lamas orientables y fijas | *lames orientables et fixes* | movable and fixed blades

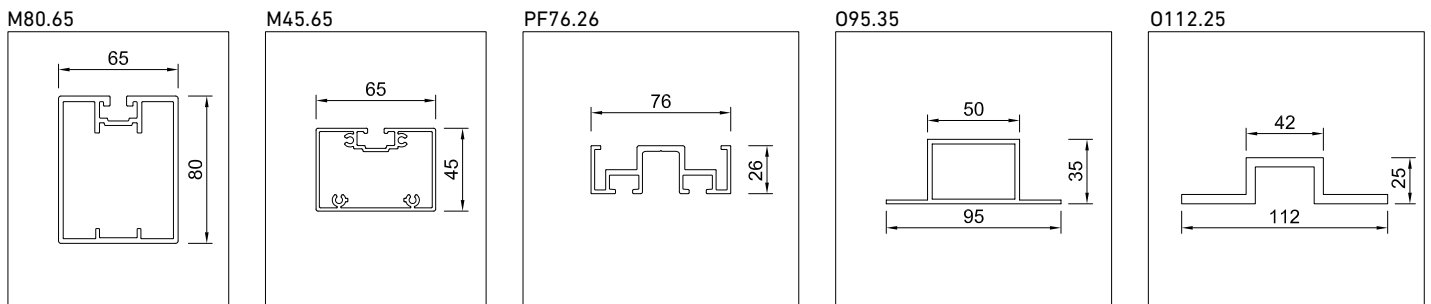


variant asimetric

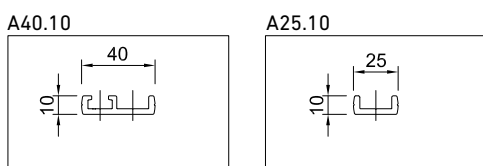
lamas orientables | *lames orientables* | movable blades



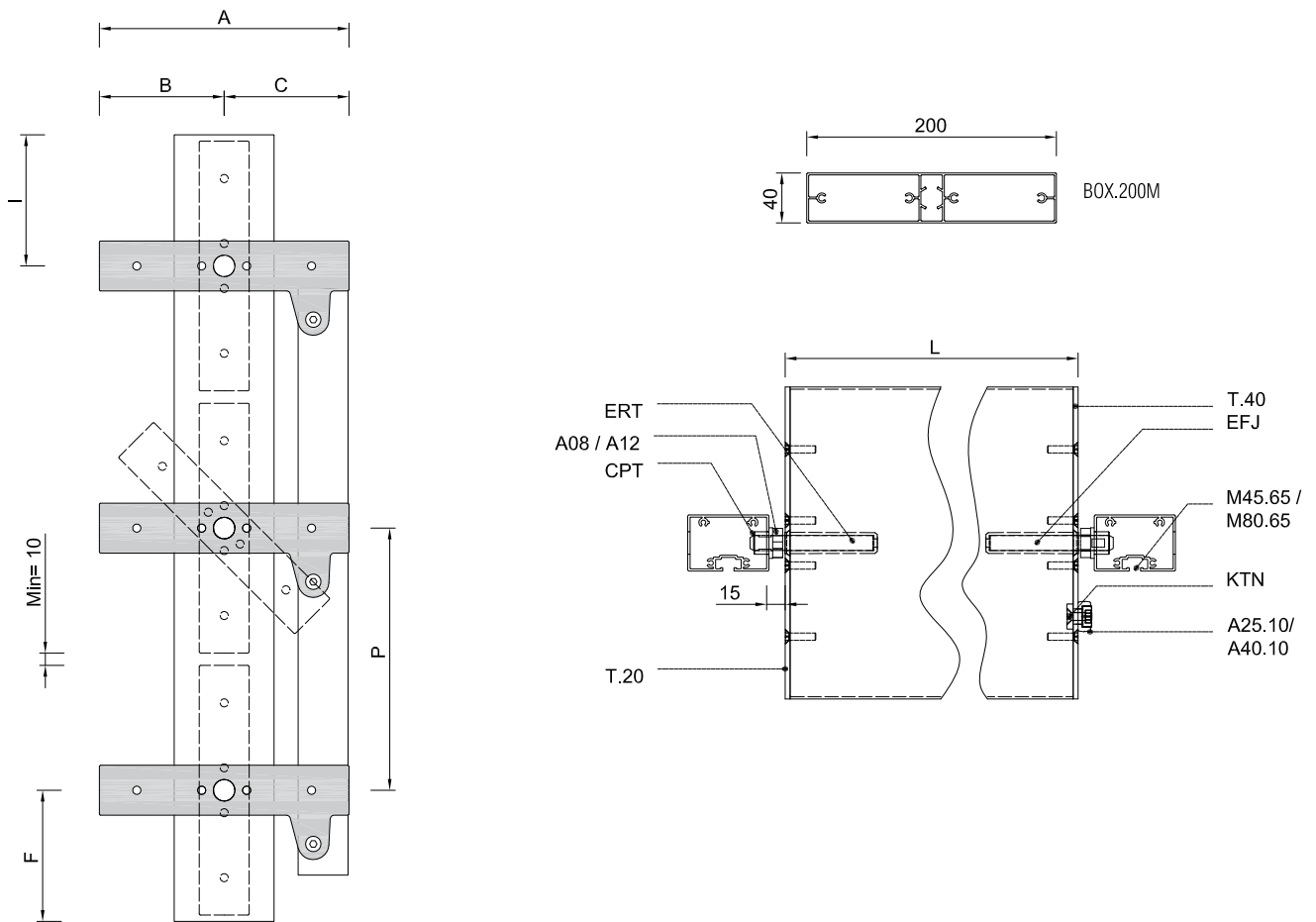
montantes | *montants* | mullions






arrastre | *barre de manouvre* | drive road






brise soleil - **tamibox**
 aluminio | *aluminium* | aluminium
 lama orientable | *lame orientable* | *movable blade*



lama lame blade	cotas principales dimensions principales main dimensions						montante montant mullion		posición lama position lame blade position		accionamiento commande operation
	A	B	C	I	P(*)	F	M45.65	M80.65	H	V	
Box.200M	200	100	100	105	190	105	○	○	✓	✓	  

longitud máxima de lama recomendada (mm) longueur maximale de la lame recommandé (mm) recommended maximum length of blade (mm)								
modelo modele model			horizontal horizontal horizontal			vertical verticale vertical		
	lxx (cm ⁴)	lyy (cm ⁴)	600 Pa	800 Pa	1250 Pa	600 Pa	800 Pa	1250 Pa
Box.200M	25,1	369,85	3800	3500	3200	4000	3700	3400

 manual | *manuelle* | manually
 mecánico | *mécanique* | mechanical
 motor | *moteur* | motor

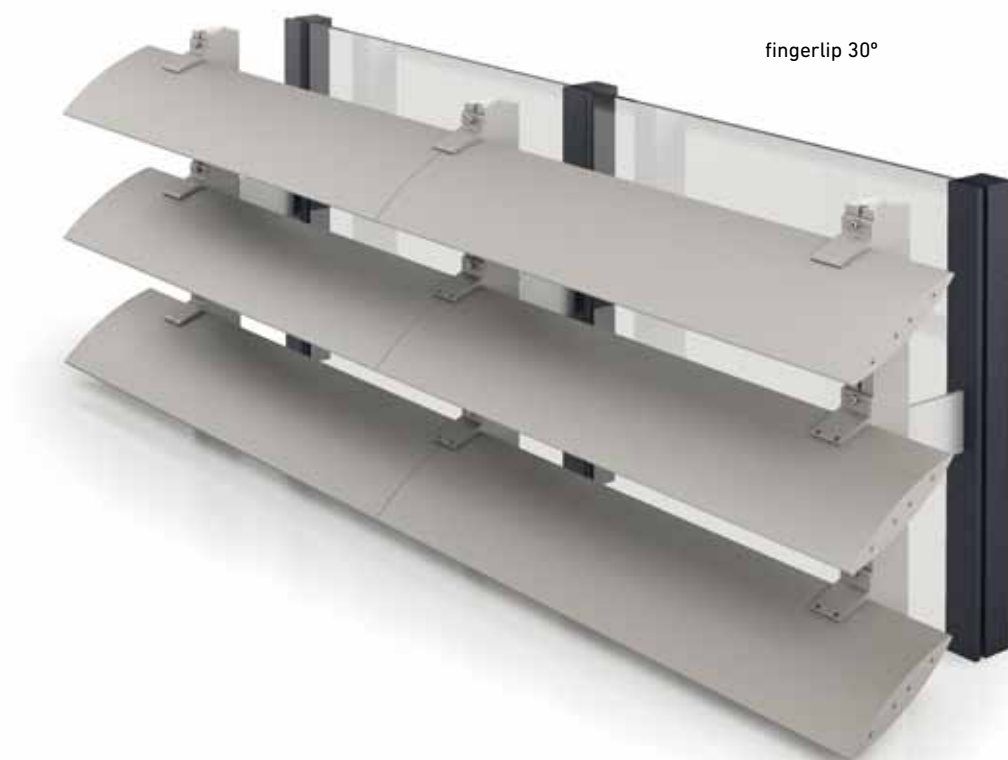
brise soleil - **fingerlip**

aluminio | *aluminium* | aluminium

lama fija continua | *lame fixe filante* | continuous fixed blade



fingerlip 0°



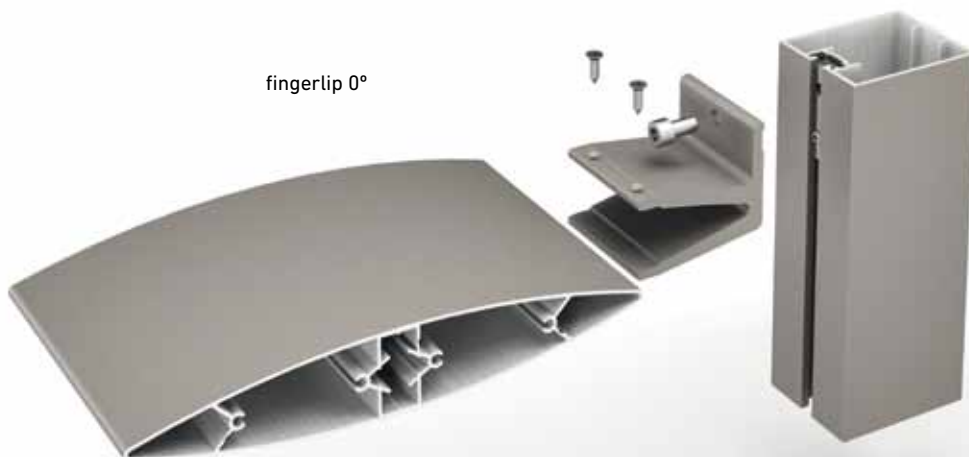
fingerlip 30°

brise soleil - **fingerlip**

aluminio | *aluminium* | aluminium

lama fija continua | *lame fixe filante* | continuous fixed blade

fingerlip 0°



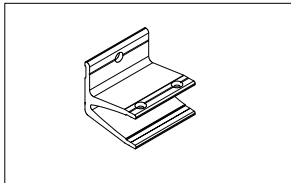
fingerlip 30°



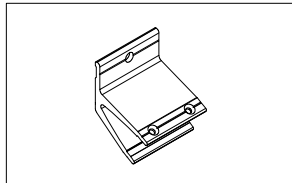
brise soleil - **fingerlip**
aluminio | *aluminium* | aluminium
lama fija continua | *lame fixe filante* | continuous fixed blade

FINGERLIP

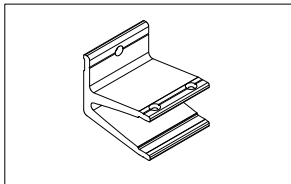
FG1-0°



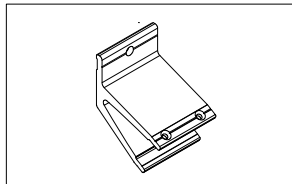
FG1-30°



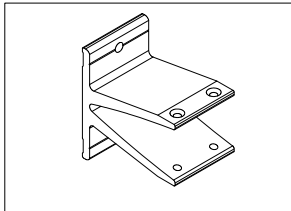
FG2-0°



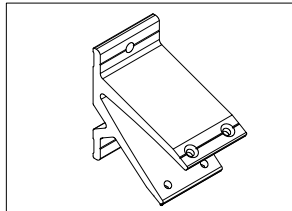
FG2-30°



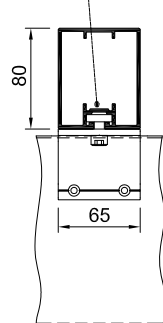
FG3-0°



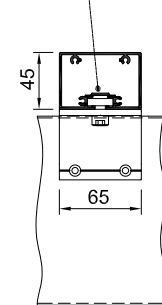
FG3-30°



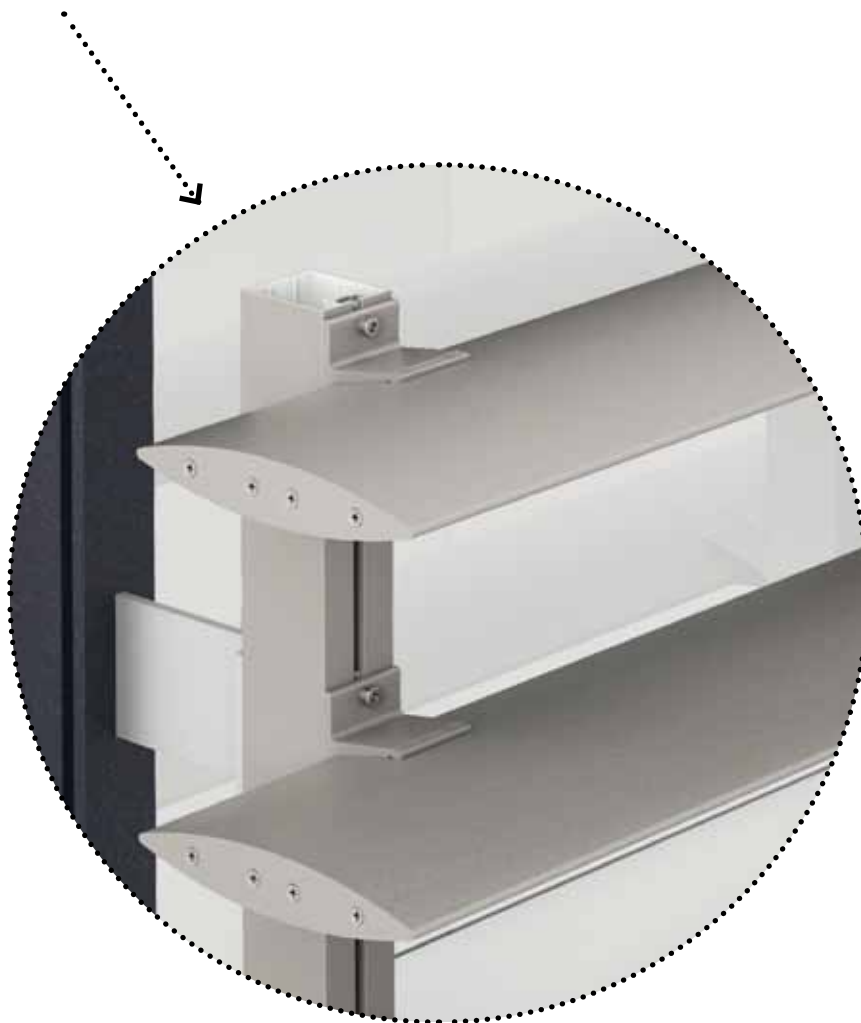
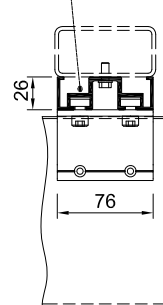
M80.65



M45.65



PF76.26

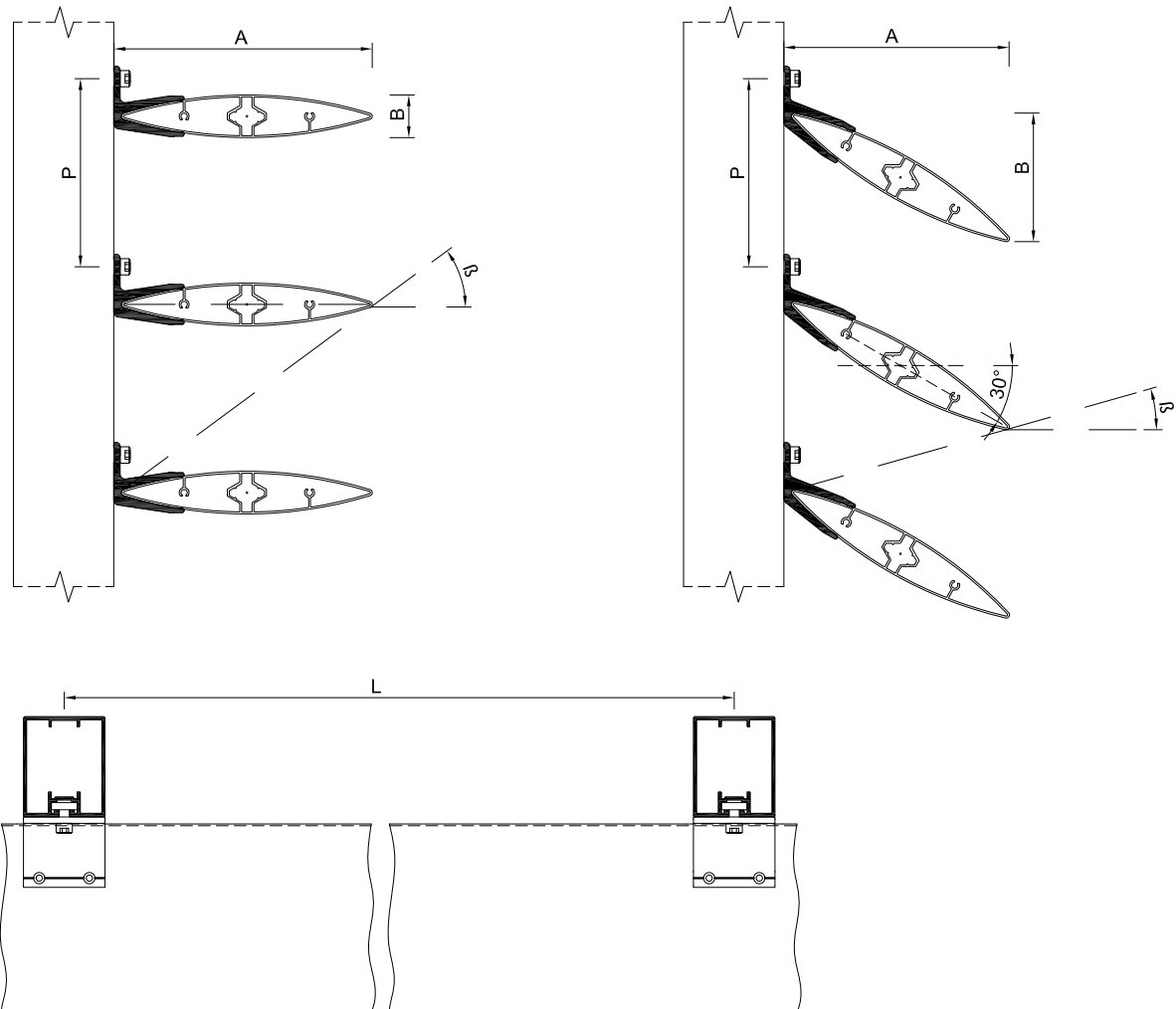


brise soleil - **fingerlip**

aluminio | *aluminium* | aluminium

lama fija continua | *lame fixe filante* | continuous fixed blade

cotas principales | *dimensions principales* | main dimensions



modelo modèle model	cotas principales dimensions principales main dimensions		Finger	L Max (mm)		P (mm)			
	A (mm)	B (mm)		600 Mpa	1250 Mpa	$\beta = 15^\circ$	$\beta = 30^\circ$	$\beta = 45^\circ$	$\beta = 60^\circ$

FINGERLIP - 0°

Lip.	A (mm)	B (mm)	Finger	600 Mpa	1250 Mpa	$\beta = 15^\circ$	$\beta = 30^\circ$	$\beta = 45^\circ$	$\beta = 60^\circ$
Lip.150	156	28	FG1-0°	3200	3000	68	115	178	288
Lip.200	206	34	FG1-0°	3400	3100	88	149	234	380
Lip.250	258	42	FG2-0°	3700	3100	109	186	292	475
Lip.300	308	5	FG2-0°	3900	3200	125	218	345	565
Lip.350	358	60	FG3-0°	4100	3500	154	262	410	666
Lip.400	408	65	FG3-0°	4300	3600	172	296	465	758

FINGERLIP - 30°

Lip.	A (mm)	B (mm)	Finger	600 Mpa	1250 Mpa	$\beta = 15^\circ$	$\beta = 30^\circ$	$\beta = 45^\circ$	$\beta = 60^\circ$
Lip.150	136	77	FG1-30°	3200	3000	110	150	205	300
Lip.200	180	102	FG1-30°	3400	3100	147	200	274	401
Lip.250	225	128	FG2-30°	3700	3100	183	250	342	501
Lip.300	269	150	FG2-30°	3900	3200	220	300	410	600
Lip.350	312	179	FG3-30°	4100	3500	256	351	479	702
Lip.400	355	203	FG3-30°	4300	3600	293	400	547	801





polideportivo | *salle de sports* | sports hall
Lip.400 - 30°
Francisco Jose Larrucea Arquitecto
Madrid